

# Load flow for the Tanzanian interconnected power system -Year 2015 during peak load condition

Y-2015 System

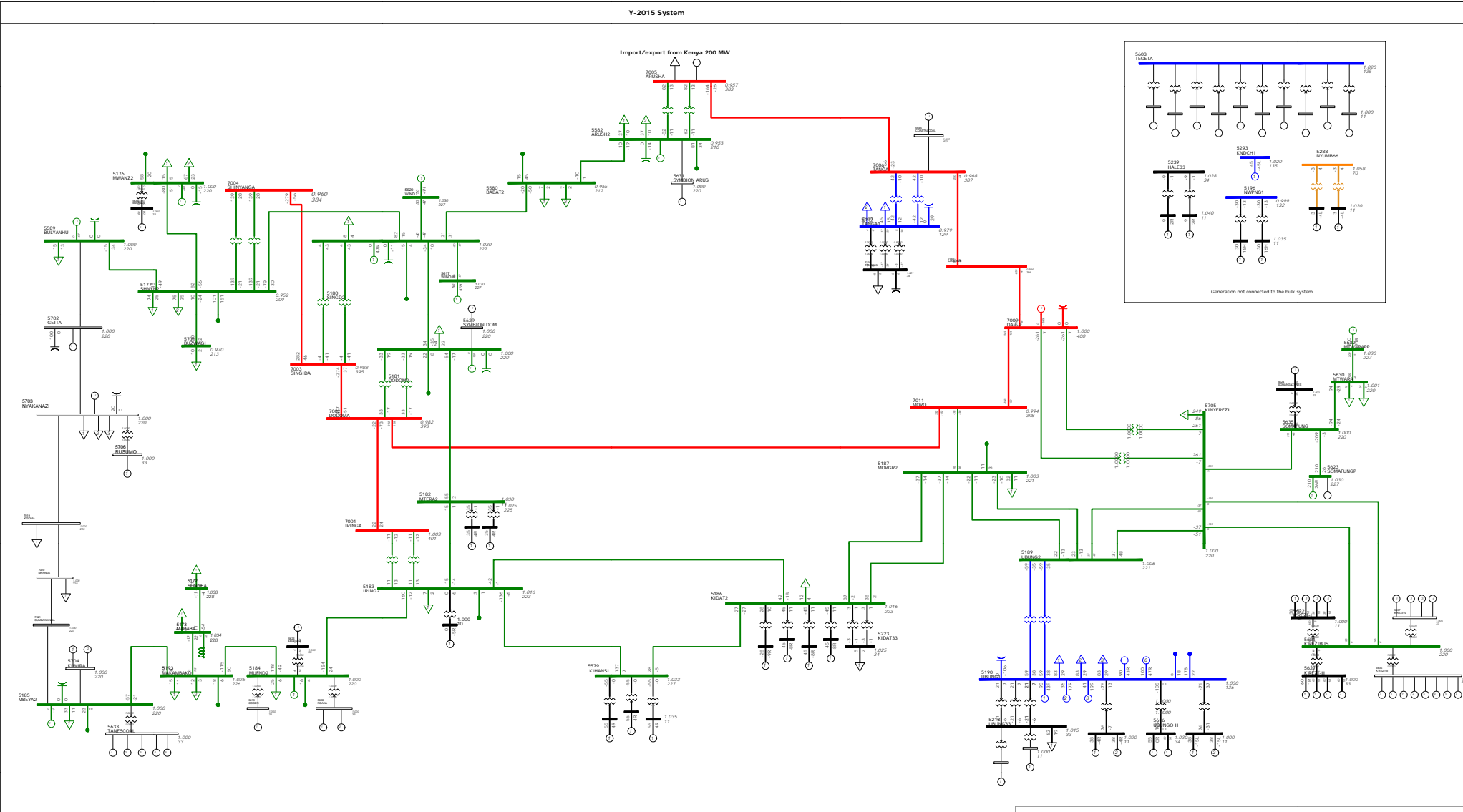


Diagram created using  
 E:\PSMP\_2013\PSSE Working File\2015 Working File\2015-2012.ssf  
 E:\PSMP\_2013\PSSE Working File\2015 Working File\2015-2012.ssf

By: Lebbi M. Changulaha & Fokas Daniel  
 TANESCO TANESCO

Date: May 2013

Notes:  
 1-  
 2-